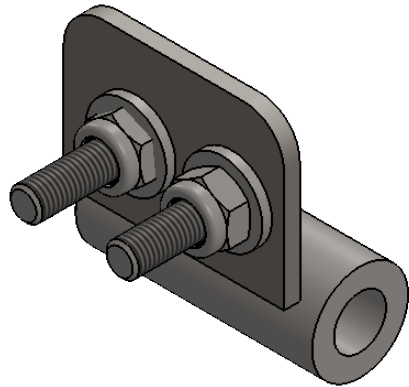


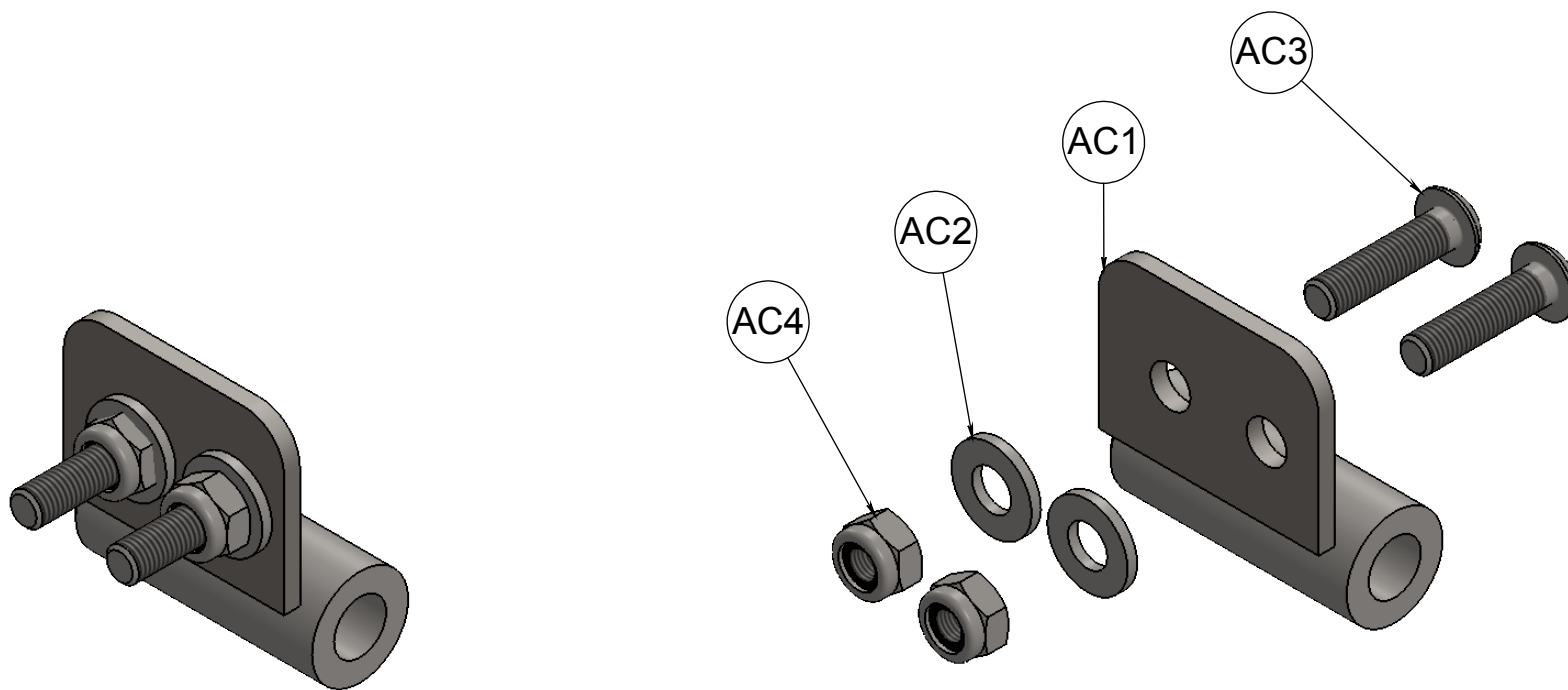
| REVISIONS | | | |
|-----------|------------|-------------------------|-------|
| PRO REV | DATE | ALTERATION | AUTH |
| 0 | 14-12-2019 | AS PER CLIENT'S REQUEST | V1422 |



| | | | | | | | | | | | | | | |
|---|--------------------------------|---|---------------|------------|-------------------------|-------|---------|--------------|-----------|------------------------|------------|------------|-----------------|----|
| MO: 19110196 | Batch:1 of 1 | Product Description: Barrel Hinge Female Part (S-Steel) Bolt on LH | 0 | 14-12-2019 | AS PER CLIENT'S REQUEST | | | | | V1422 | | | | |
| Quantity Batch: 10 | Product Code: 001-005-0038NZ | | PRO REV. | DATE | ALTERATION | | | | | AUTH. | | | | |
| Contract #: N/A | Dwg Description: REVISIONTABLE | | Selection | 0.5-3 | >3-6 | >6-30 | >30-120 | >120-400 | >400-1000 | >1000-2000 | >2000-4000 | >4000-8000 | Angle Tolerance | |
| Contract Ref: Reid&Twname - C52 | Client: Reid&Twname | Client Code: N/A | | ±0.05 | ±0.05 | ±0.1 | ±0.15 | ±0.2 | ±0.3 | ±0.5 | ±0.8 | - | ±1° | |
| Issued By: | Date: | Client Dwg Ref: N/A | Client Rev: 0 | | ±0.1 | ±0.1 | ±0.2 | ±0.3 | ±0.5 | ±0.8 | ±1.2 | ±2 | | ±3 |
| Received By: | Date: | Product Finish: MATTE | | → | ±0.15 | ±0.2 | ±0.5 | ±0.8 | ±1.2 | ±2 | ±3 | ±4 | | ±5 |
| NOTE: All dimensions in mm (unless noted otherwise) | | | | | W = 0.0 (Kg) | | | Sheet 1 of 3 | | First Angle Projection | | | | |

List of Part

| Part # | Code | Description | Material Spec | Size | Qty. | Unit | Total |
|--------|--------------|--|-----------------|------|------|------|-------|
| AC1 | SFP-010-0168 | Barrel Hinge Female Part (S-Steel) Bolt on LH | S-Steel | - | 1 | Pcs | 1 |
| AC2 | 914-098-0004 | Stainless steel washer to suit M4 OD 10mm x 1mm | Stainless steel | - | 2 | Pcs | 2 |
| AC3 | 914-016-0990 | Hex socket (allen Key) & Domed Head bolt M4 x 15mm L x 0.7 pitch | Stainless Steel | - | 2 | Pcs | 2 |
| AC4 | 914-047-0009 | Nyloc Nut : M4 x pitch 0.7 Stainless Steel | Stainless Steel | - | 2 | Pcs | 2 |

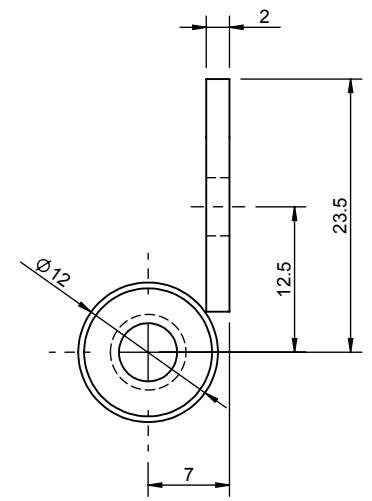
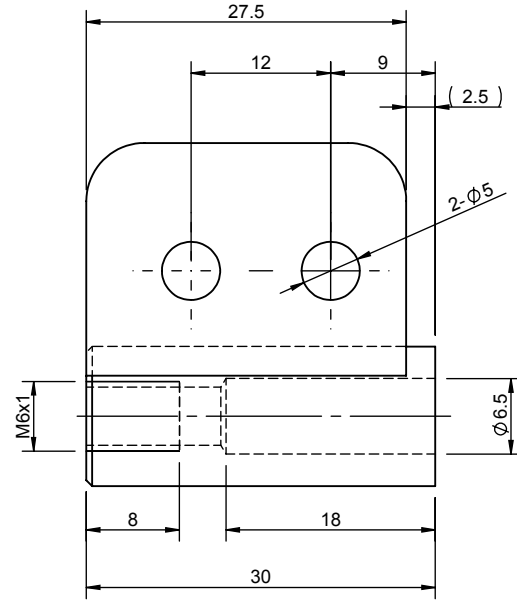
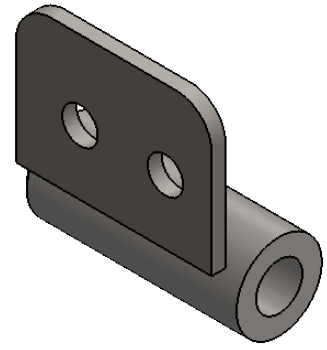


| | | | | | | | | | | | | | |
|---|---------------|---|---|------------|-------------------------|-------|---------|--------------|---------------------|------------|------------------------|------------|-----------------|
| MO: 19110196 | Batch: 1 of 1 | Product Description: Barrel Hinge Female Part (S-Steel) Bolt on LH | 0 | 14-12-2019 | AS PER CLIENT'S REQUEST | | | | | V1422 | | | |
| Quantity Batch: 10 | | Product Code: 001-005-0038NZ | PRO REV. | DATE | ALTERATION | | | | | AUTH. | | | |
| Contract #: N/A | | Dwg Description: LIST OF MATERIAL | Selection | 0.5-3 | >3-6 | >6-30 | >30-120 | >120-400 | >400-1000 | >1000-2000 | >2000-4000 | >4000-8000 | Angle Tolerance |
| Contract Ref: Reid&Twiname - C52 | | Client: Reid&Twiname | | ±0.05 | ±0.05 | ±0.1 | ±0.15 | ±0.2 | ±0.3 | ±0.5 | ±0.8 | - | ±1° |
| Issued By: | Date: | Client Dwg Ref: N/A | | ±0.1 | ±0.1 | ±0.2 | ±0.3 | ±0.5 | ±0.8 | ±1.2 | ±2 | ±3 | |
| Received By: | Date: | Client Rev: 0 | ➔ | ±0.15 | ±0.2 | ±0.5 | ±0.8 | ±1.2 | ±2 | ±3 | ±4 | ±5 | |
| | | Product Finish: MATTE | NOTE: All dimensions in mm (unless noted otherwise) | | | | | W = 0.0 (Kg) | Sheet 2 of 3 | | First Angle Projection | | |

| List of Part | | | | | | | |
|--------------|--------------|---|---------------|------|------|------|-------|
| Part # | Code | Description | Material Spec | Size | Qty. | Unit | Total |
| AC1 | SFP-010-0168 | Barrel Hinge Female Part (S-Steel) Bolt on LH | S-Steel | - | 1 | Pcs | 1 |

① LẤY TỪ KHO

⇒ ĐÓNG GÓI



Yêu cầu/hướng dẫn

-
-

Xác nhận của người thực hiện:
 Các yêu cầu phía trên đã được thực hiện.

Ký tên - Mã số - Ngày thực hiện
 / /

| | | | | | | | | | | | | | | | | | | | | |
|---|--------------|---|--|---|-------------------------|---------------------------------|----------------------|----------------------|------------|----------------------------------|-------|------------------------|----------|-----------|------------|------------|------------|-----------------|----|----|
| Tên và Mã Số Máy: (Name & Machine's Code) | | Mã Số Đồ Gá Kiểm Tra: (Check Jig's Code) | | Dụng Cụ Kiểm Tra: (Check Tool) | | Người Kiểm tra: (Checked By) | | Ngày:..... (Date) | | Người Thẩm Tra: (Verified By) | | Ngày:..... (Date) | | | | | | | | |
| Mã Số Dụng Cụ: (Tool's Code) | | Mã Số Đồ Gá Lắp Ráp: (Assembly Jig's Code) | | Tần Suất Kiểm Tra: (Check Frequency) | | | | | | | | | | | | | | | | |
| MO: 19110196 | Batch:1 of 1 | Product Description: Barrel Hinge Female Part (S-Steel) Bolt on LH | | | | | | 0 | 14-12-2019 | AS PER CLIENT'S REQUEST | | | | V1422 | | | | | | |
| Quantity Batch: 10 | | Product Code: 001-005-0038NZ | | | | | | PRO REV. | DATE | ALTERATION | | | | AUTH. | | | | | | |
| Contract #: N/A | | Dwg Description: AC01(1/2) | | | | | | Selection | 0.5-3 | >3-6 | >6-30 | >30-120 | >120-400 | >400-1000 | >1000-2000 | >2000-4000 | >4000-8000 | Angle Tolerance | | |
| Contract Ref: Reid&Twname - C52 | | Client: Reid&Twname | | | Client Code: N/A | | | | ±0.05 | ±0.05 | ±0.1 | ±0.15 | ±0.2 | ±0.3 | ±0.5 | ±0.8 | - | ±1° | | |
| Issued By: | | Date: | | Client Dwg Ref: N/A | | | Client Rev: 0 | | | | ±0.1 | ±0.1 | ±0.2 | ±0.3 | ±0.5 | ±0.8 | ±1.2 | | ±2 | ±3 |
| Received By: | | Date: | | Product Finish: MATTE | | | | | | | ±0.15 | ±0.2 | ±0.5 | ±0.8 | ±1.2 | ±2 | ±3 | | ±4 | ±5 |
| NOTE: All dimensions in mm (unless noted otherwise) | | | | | | | | W = 0.03 (Kg) | | Sheet 3 of 3 | | First Angle Projection | | | | | | | | |